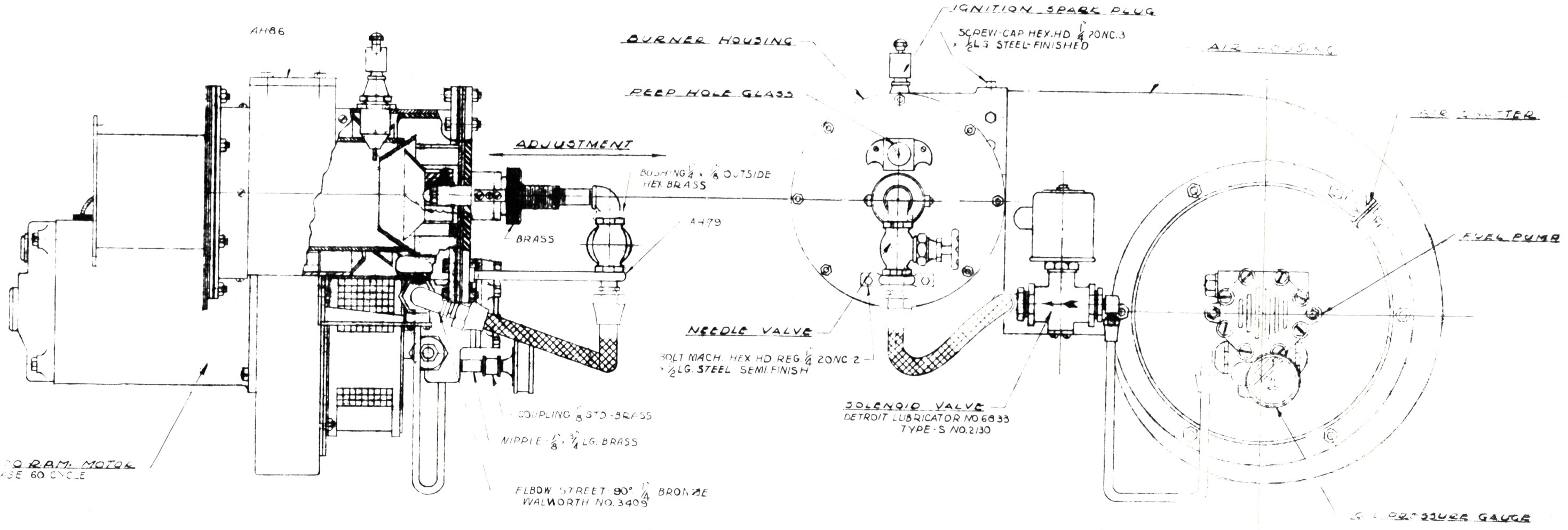


AH86



1/2 H.P. - 3500 R.P.M. MOTOR
220 VOLT 3 PHASE 60 CYCLE

RIGHT SIDE SCHEMATIC ELEVATION

FRONT ELEVATION

UNLESS OTHERWISE STATED,
FABRICATING TOLERANCES ARE;
DECIMALS ±.005; WHOLE NUMBERS
AND FRACTIONS ±.004; DEGREES ±30'

REV.	ZONE	DR.	CK.	CHANGED FROM	REV. DATE
				DEPARTMENT OF THE ARMY QUARTERMASTER CORPS J.Q.D., JEFFERSONVILLE, IND.	
				LAUNDRY, MOBILE, 2-TRAILER TYPE; BURNER ASSEMBLY FOR LAUNDRY TUMBLER	
				DATE 14, SEPT. '48	DRG. NO. D 5-13-249 SHEET 5 OF 26

SET OF DRAWINGS 5-13-245 THRU 5-13-272